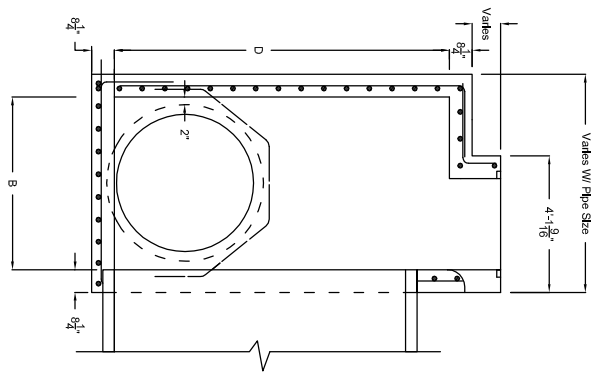


PIPE SIZE	DIMENSION			
	ROUND PIPE (ROUND EQUIV.)	SINGLE PIPE	DOUBLE PIPE	ROUND PIPE
15"	15"	8'-0"	8'-0"	4'-0"
18"	18"	8'-0"	8'-0"	4'-0"
20"	18"	8'-0"	8'-0"	4'-0"
30"	24"	8'-0"	8'-0"	4'-0"
36"	30"	8'-0"	8'-0"	4'-0"
42"	36"	8'-0"	10'-5"	4'-5"
48"	42"	8'-0"	10'-5"	4'-5"
54"	48"	8'-0"	11'-7"	5'-2"
60"	54"	8'-0"	12'-11"	5'-9"
72"	60"	8'-0"	14'-3"	6'-4"
84"	72"	8'-0"	16'-8"	7'-8"
		9'-0"	20'-0"	8'-10"

1. DIAGONAL REINFORCEMENT REQUIRED FOR PIPE LARGER THAN 36". BARS SHALL LAP TO A FULL LENGTH VERTICAL BAR W/18" LAP LENGTH.
2. CONCRETE SHALL NOT BE PLACED ABOVE BOTTOM OF PAVEMENT UNTIL PAVING ADJACENT TO INLET HAS BEEN COMPLETED.



SECTION B-B

DOUBLE CURB INLET

WASTEWATER TREATMENT OF LOUISIANA, INC.

17188 Airline Hwy.
 Ste W-157 Prairieville, LA 70769
 PH 225-673-3156

by:
THOMAS F. PERTUIT, P.E.