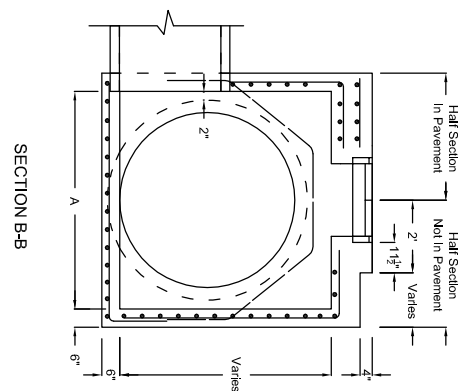
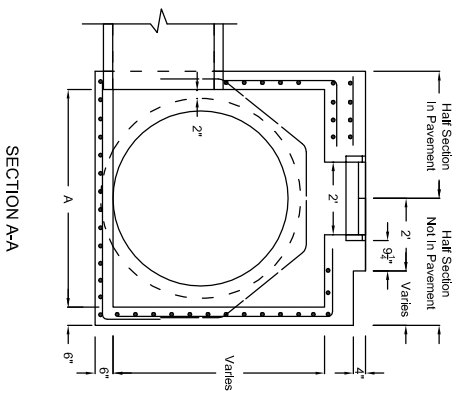
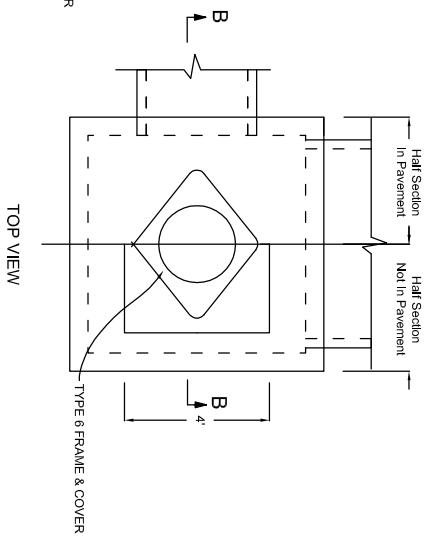
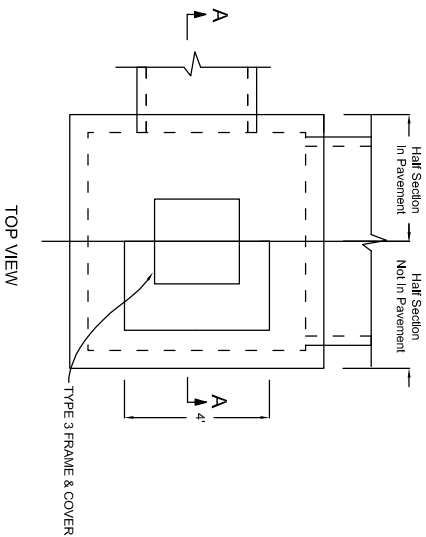


ROUND PIPE	PIPE SIZE ARCH PIPE (ROUND EQUIV.)	DIMENSION A
15"	15"	2'-10"
18"	18"	2'-10"
24"	18"	2'-10"
30"	24"	3'-5"
36"	30"	4'-0"
42"	36"	4'-8"
48"	42"	5'-2"
54"	48"	5'-9"
60"	54"	6'-4"
72"	60"	6'-8"
84"	72"	7'-6"
		8'-10"

1. DIAGONAL REINFORCEMENT REQUIRED FOR PIPE LARGER THAN 36" BARS SHALL LAP TO A FULL LENGTH VERTICAL BAR W/18d LAP LENGTH.



CAST IRON GRATE INLET AND JUNCTION BOX

WASTEWATER TREATMENT OF LOUISIANA, INC.

17188 Airline Hwy.
 Ste M-4157 Prairieville, LA. 70769
 PH 225-673-3156

by:
THOMAS F. PERTUIT, P.E.