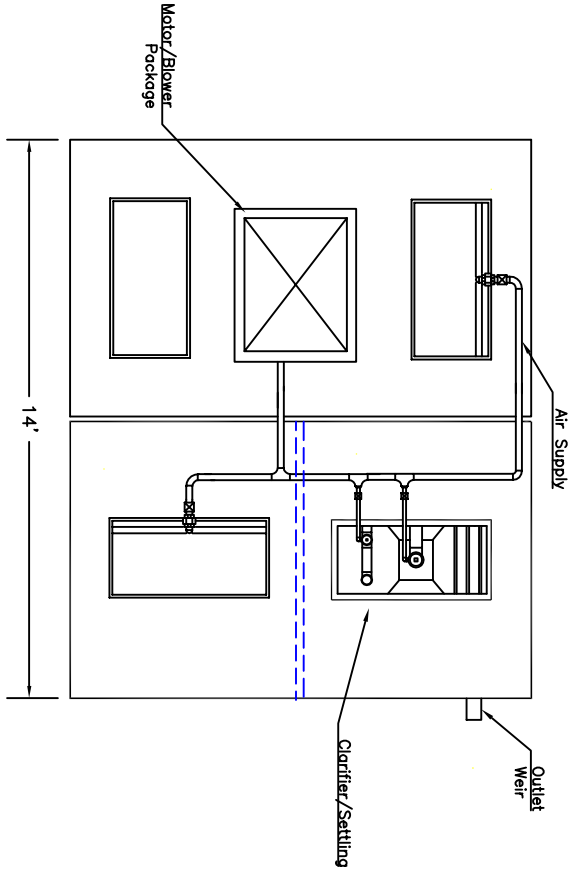
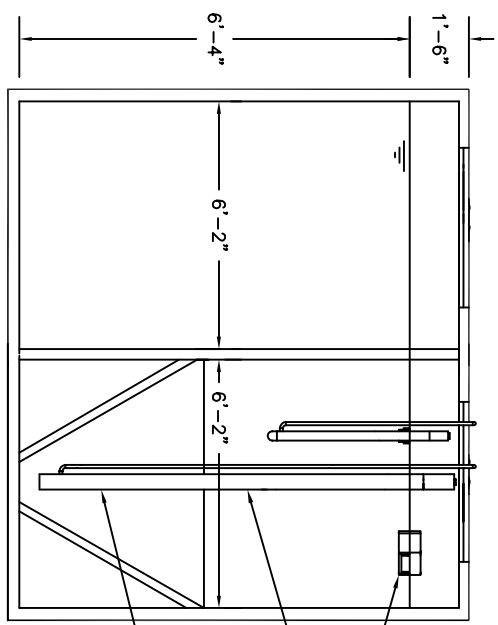


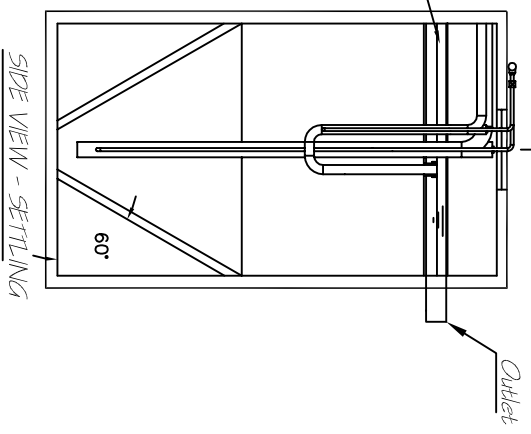
Section Thru Aeration



Plan View



Section Thru End



SIDE VIEW - SETTLING

WASTEWATER TREATMENT OF LOUISIANA, INC.

17188 Airline Hwy Suite M-157, Prairieville, LA 70769  
PH 225-673-3156

Sewer Treatment Plant  
5,000 Gallons Per Day  
by:  
THOMAS F. PERTUIT, P.E.