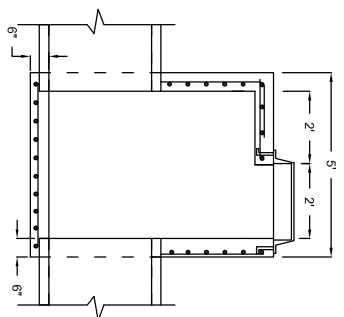


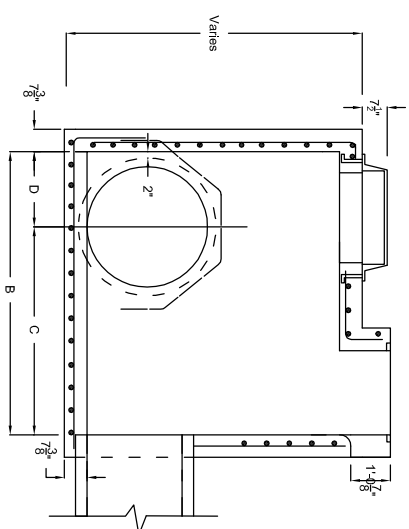
SECTION A-A



SECTION B-B

ROUND PIPE	PIPE SIZE ARCH PIPE (ROUND EQUIV.)	FRONT INSIDE WIDTH	DIMENSION			
			B	C	D	
15"	15"	4'-0"	4'-8"	3'-8"	1'-0"	
18"	18"	4'-0"	4'-10"	3'-8"	1'-2"	
24"	24"	4'-0"	5'-4"	3'-11"	1'-5"	
30"	30"	4'-0"	6'-0"	4'-3"	1'-9"	
36"	36"	4'-0"	6'-8"	4'-8"	2'-0"	
42"	36"	4'-0"	7'-3"	4'-11"	2'-4"	
48"	36"	4'-0"	7'-9"	5'-2"	2'-7"	

1. DIAGONAL REINFORCEMENT REQUIRED FOR PIPE LARGER THAN 36". BARS SHALL LAP TO A FULL LENGTH VERTICAL BAR W/18d LAP LENGTH.
2. CONCRETE SHALL NOT BE PLACED ABOVE BOTTOM OF PAVEMENT UNTIL PAVING ADJACENT TO INLET HAS BEEN COMPLETED.



SECTION C-C

**SINGLE CURB INLET
W/ MANHOLE COVER**

by:
THOMAS F. PERTUIT, P.E.