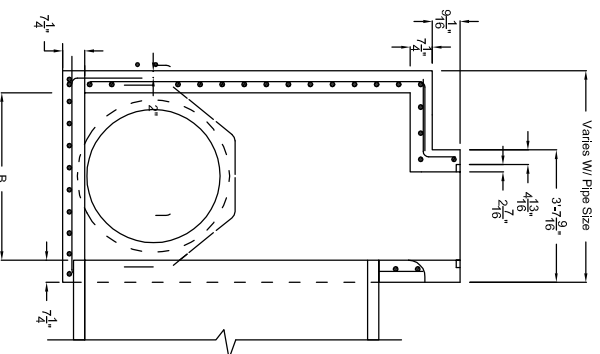


SECTION A-A

PIPE SIZE	PIPE SIZE (ROUND EQUIV.)	DIMENSION			
		A	DOUBLE PIPE	B	C
15"	15"	4'-0"	5'-0"	2'-3"	15"
18"	18"	4'-0"	5'-7"	2'-3"	15"
24"	18"	4'-0"	6'-7"	2'-10"	15"
30"	24"	4'-8"	8'-9"	3'-5"	15"
36"	30"	5'-2"	8'-11"	4'-0"	15"
42"	36"	5'-9"	10'-5"	4'-8"	17"
48"	42"	5'-2"	11'-7"	5'-2"	19"
54"	48"	5'-9"	12'-11"	5'-9"	21"
60"	48"	6'-4"	14'-3"	6'-4"	23"
72"	60"	6'-8"	15'-0"	6'-8"	24"
84"	72"	7'-6"	16'-8"	7'-6"	24"
		8'-10"	20'-0"	8'-10"	36"

1. DIAGONAL REINFORCEMENT REQUIRED FOR PIPE LARGER THAN 36". BARS SHALL LAP TO A FULL LENGTH VERTICAL BAR W/18d LAP LENGTH.
2. CONCRETE SHALL NOT BE PLACED ABOVE BOTTOM OF PAVEMENT UNTIL PAVING ADJACENT TO INLET HAS BEEN COMPLETED.



SECTION B-B

title: **SINGLE CURB INLET**

WASTEWATER TREATMENT OF LOUISIANA, INC.

17188 Airline Hwy.
 Ste M-157 Prairieville, LA. 70769
 PH 225-673-3156

by: **THOMAS F. PERTUIT, P.E.**