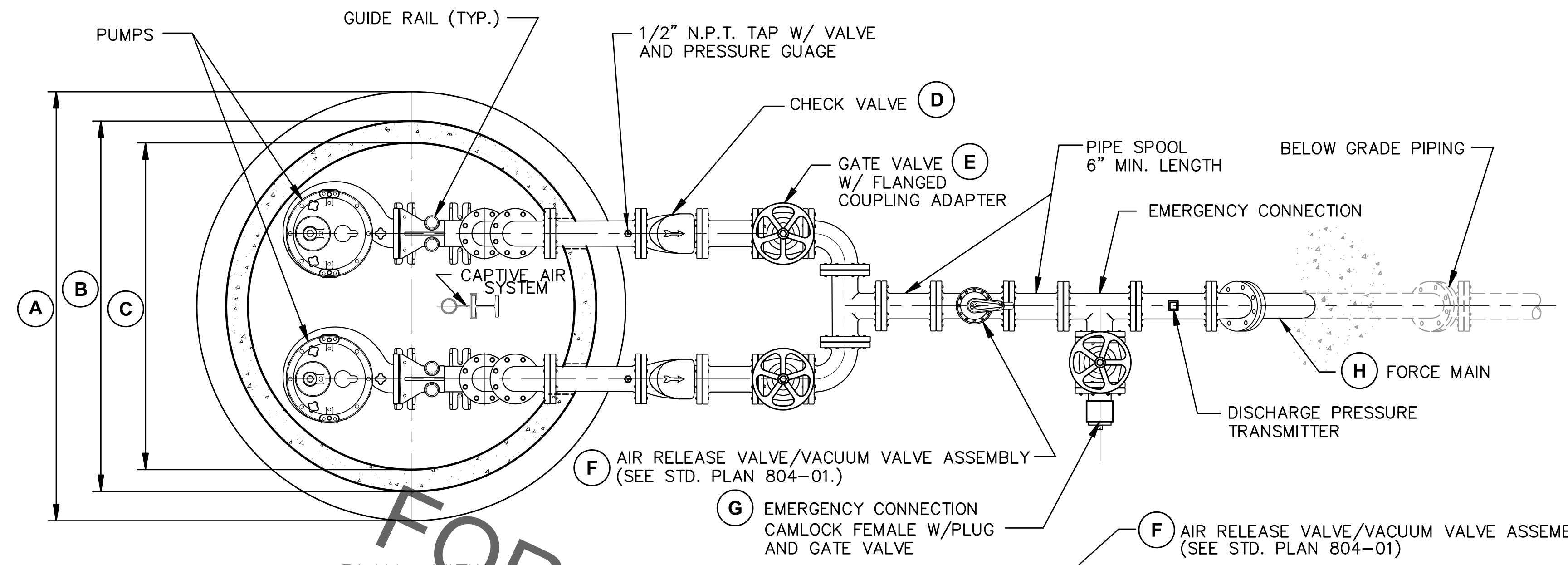
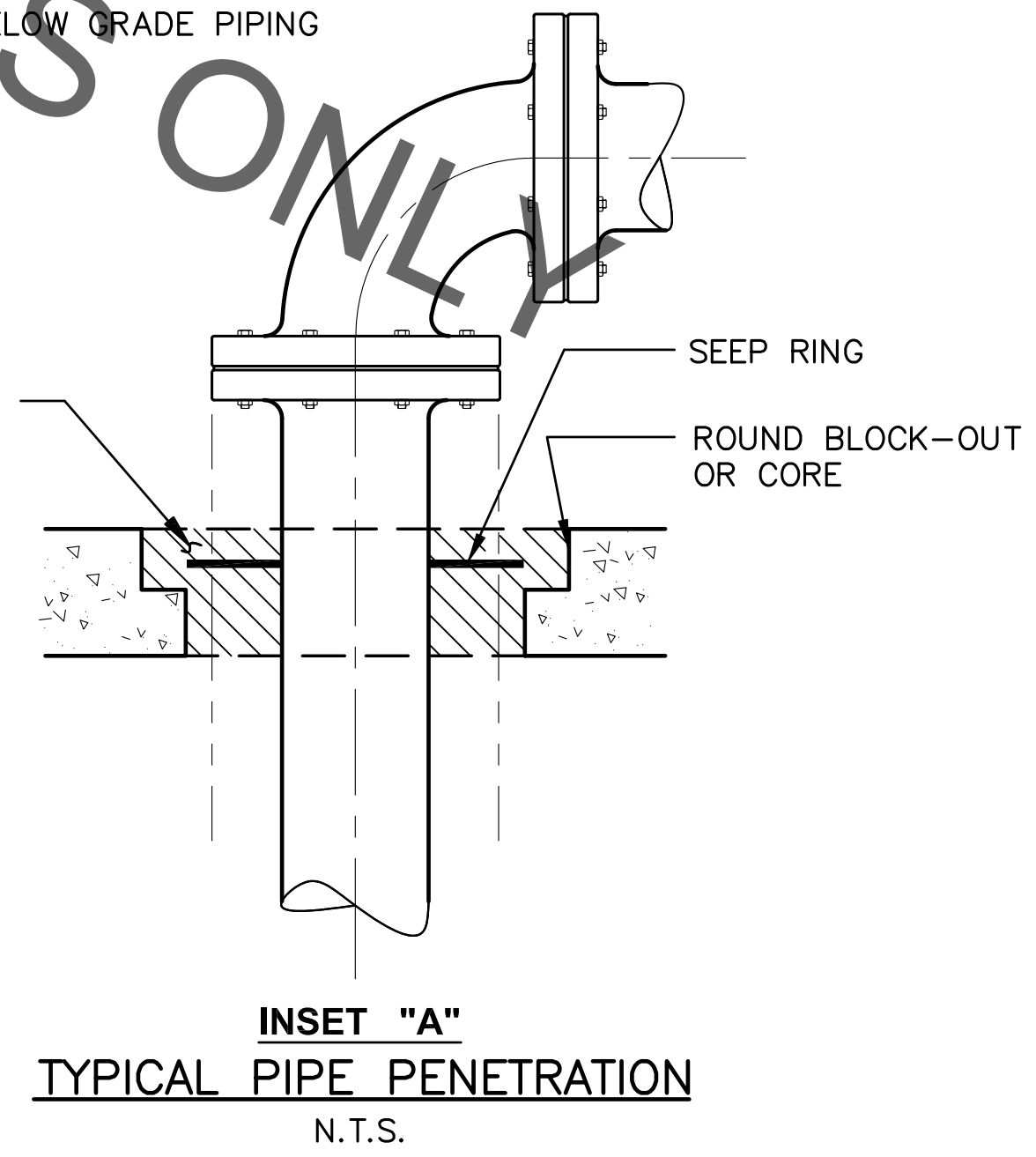
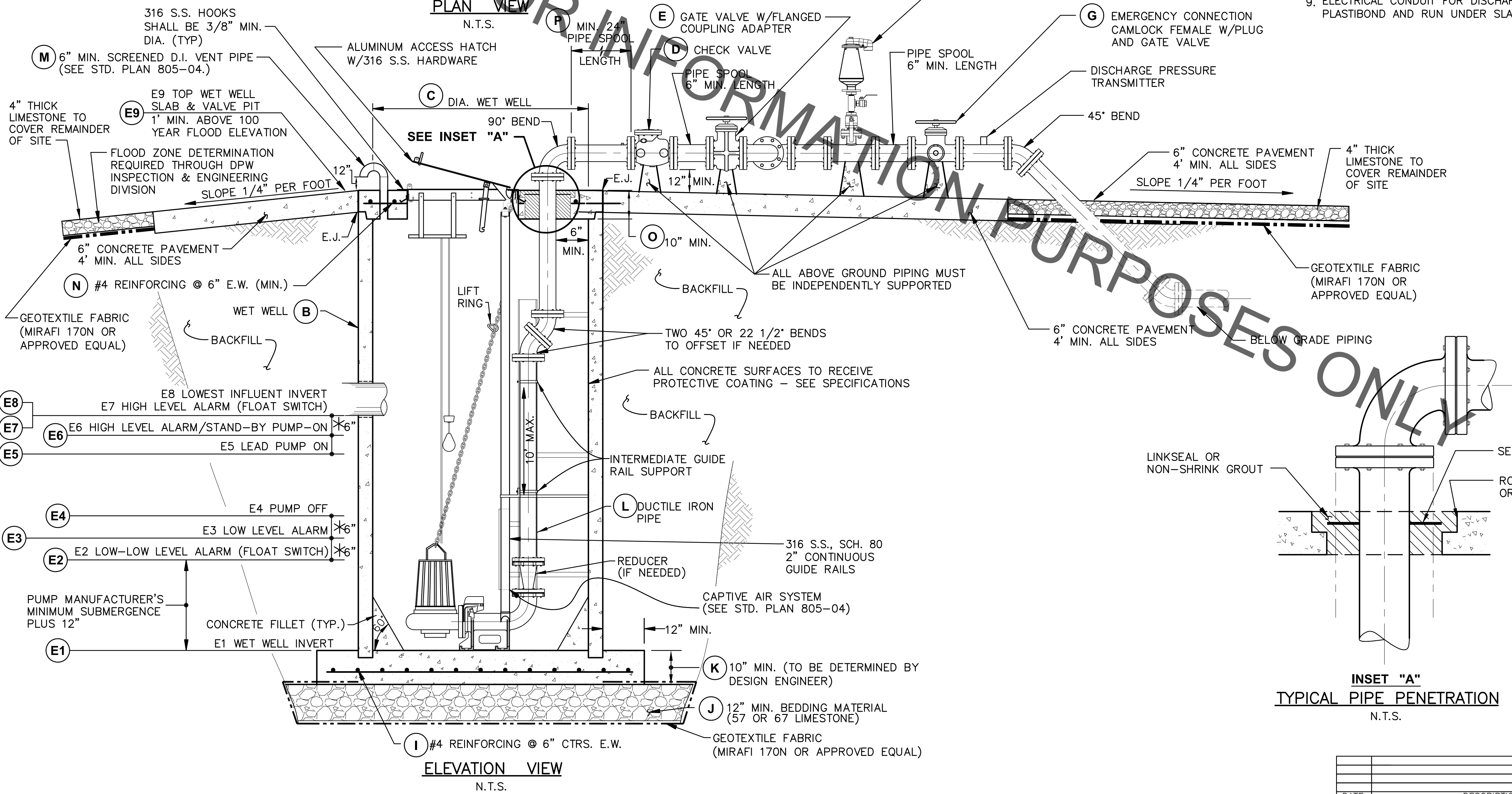


PROJECT NO.	SHEET



NOTES:

1. LIMITS OF EXCAVATION TO BE DETERMINED BY THE CONSTRUCTION EXCAVATION METHOD SELECTED BY CONTRACTOR. MAINTAINING THE STABILITY OF THE SLOPED SIDES OF EXCAVATION SHALL BE THE RESPONSIBILITY OF THE CONTRACTOR AND SHALL COMPLY WITH OSHA REGULATIONS AND ANY LOCAL CODES OR ORDINANCES.
2. BACKFILL SHALL CONFORM TO SECTION 805 OF THE SPECIFICATIONS.
3. ALL ABOVE GROUND PIPING MUST BE INDEPENDENTLY SUPPORTED.
4. ALL FASTENERS IN WETWELL TO BE 316 STAINLESS STEEL. ALL PARTS IN WETWELL TO BE COATED AND/OR STAINLESS STEEL AS STATED IN THE SPECIFICATIONS.
5. ALL PUMP STATIONS SHALL HAVE A BACKFLOW PREVENTER AND HOSE BIBB CONNECTION INSTALLED. SEE STD. PLAN 805-04.
6. ALL ELECTRICAL CONDUIT PENETRATING CONCRETE WALLS SHALL BE SINGLE PENETRATION AND IN SEPARATE SLEEVES. PENETRATIONS SHALL BE A MINIMUM OF 2" APART MEASURED FROM OUTSIDE DIAMETER TO OUTSIDE DIAMETER.
- * 7. LEVEL DIMENSIONS ARE A MINIMUM.
8. DOORS MUST PROVIDE DIRECT ACCESS FOR UNOBSTRUCTED REMOVAL OF PUMPS AND ACCESS TO CAPTIVE AIR SYSTEM.
9. ELECTRICAL CONDUIT FOR DISCHARGE PRESSURE TRANSMITTER AND CHECK VALVE LIMIT SWITCH MUST BE PLASTIBOND AND RUN UNDER SLAB.



STANDARD PLAN NO. 805-02	DATED JULY 12, 2013	SHEET NO. 1 OF 2
-----------------------------	------------------------	---------------------

CONCRETE DUPLEX STATION DETAILS (TYPE I STATION)			
ENGINEERING DIVISION DEPARTMENT OF PUBLIC WORKS CITY OF BATON ROUGE & PARISH OF EAST BATON ROUGE			
DESIGNED A. SCHULZE	DRAWN G. VANNICE	CHECKED R. WRIGHT	APPROVED B. HARMON

DATE	DESCRIPTION REVISIONS	BY